

Empowering Aspiring Legal Professionals: The Ultimate Beginner's Guide to Drafting Civil Suits in India

Unlocking the Secrets of Civil Suits: A Comprehensive Journey



Navigating the complexities of civil litigation can be daunting, especially for aspiring legal professionals. This comprehensive guidebook serves as an invaluable resource, meticulously designed to equip you with the knowledge and skills necessary to draft compelling civil suits in India.



A BEGINNER'S GUIDE TO DRAFTING CIVIL SUITS IN INDIA by Ilene W. Devlin

★★★★☆ 4 out of 5

Language	: English
File size	: 416 KB
Text-to-Speech	: Enabled
Screen Reader	: Supported
Enhanced typesetting	: Enabled
Word Wise	: Enabled
Print length	: 60 pages
Lending	: Enabled



Within its chapters, you will delve into the intricacies of civil procedure, unraveling the legal framework governing the initiation and prosecution of civil suits. From understanding the concept of jurisdiction to mastering the art of drafting pleadings, this guide empowers you with a solid foundation in the field.

Understanding Civil Procedure: Laying the Foundation

1. **Overview of Civil Procedure:** Gain clarity on the fundamental principles and objectives of civil procedure in India.
2. **Courts and Jurisdiction:** Explore the different types of courts in India and the principles governing their jurisdiction.

3. **Commencement of Suits:** Comprehend the various methods of initiating civil suits, including the drafting of complaints.
4. **Pleadings:** Master the art of drafting pleadings, including statements of claim, written statements, and replies.
5. **Discovery and Interrogatories:** Delve into the techniques of discovery, interrogatories, and other tools for obtaining evidence.

Drafting Civil Suits: A Step-by-Step Approach

- **Identifying the Cause of Action:** Determine the legal basis for your client's claim.
- **Gathering Evidence:** Assemble the necessary evidence to support your client's case.
- **Drafting the Complaint:** Craft a compelling complaint that effectively presents your client's arguments.
- **Serving the Complaint:** Understand the procedures for serving the complaint on the defendant.
- **Written Statement and Defense:** Analyze the defendant's written statement and prepare a robust defense.

Navigating the Trial Process: Essential Strategies

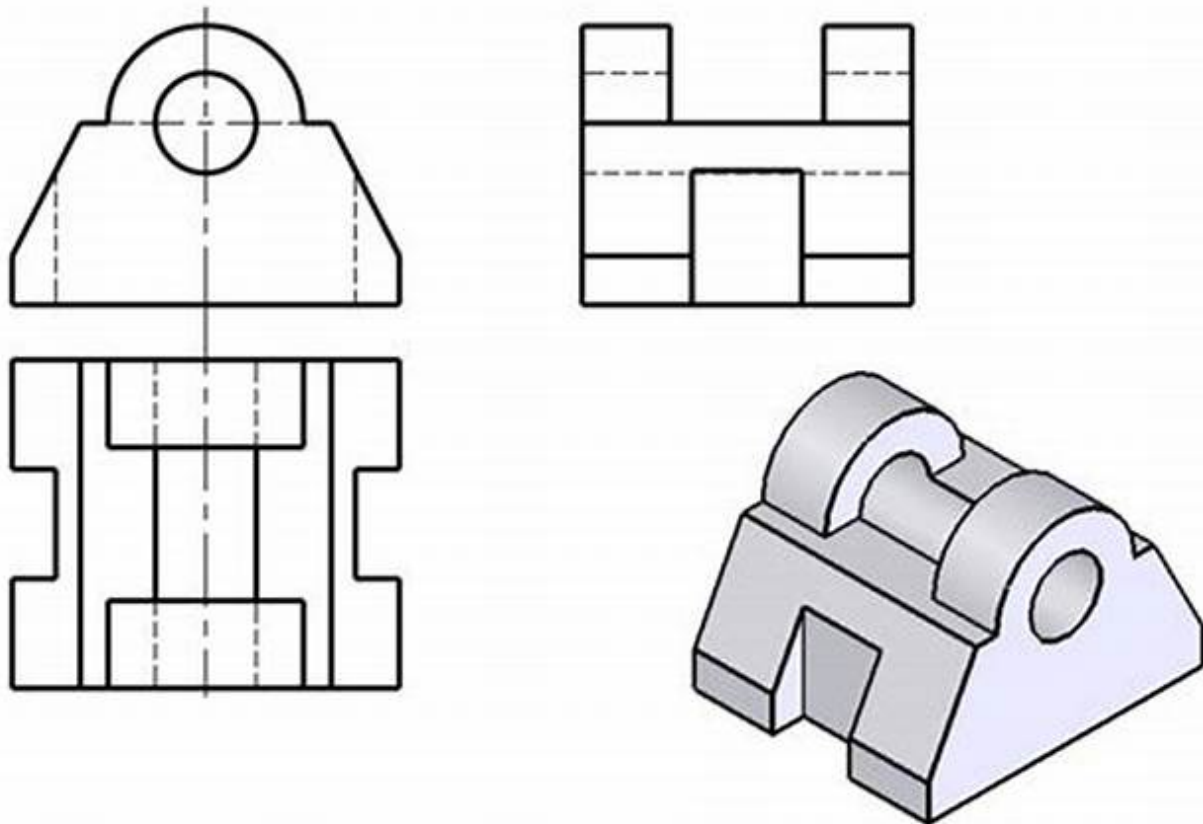
1. **Preparing for Trial:** Develop a comprehensive strategy for presenting your client's case in court.
2. **Examination of Witnesses:** Learn the art of examining witnesses effectively to elicit favorable testimony.
3. **Cross-Examination:** Master the techniques of cross-examination to challenge the credibility of opposing witnesses.

4. **Submitting Evidence:** Understand the rules governing the admissibility and presentation of evidence.
5. **Closing Arguments:** Craft persuasive closing arguments to summarize your client's case and sway the court's opinion.

Special Considerations for Civil Suits

- **Suits for Specific Relief:** Explore the unique considerations involved in drafting suits for specific relief, such as injunctions and specific performance.
- **Suits for Damages:** Delve into the principles of damages and the strategies for quantifying and claiming damages.
- **Representative Suits:** Understand the principles and procedures governing representative suits.
- **Public Interest Litigation:** Examine the role of public interest litigation in India and the drafting of PIL petitions.
- **Alternative Dispute Resolution:** Explore alternative methods of dispute resolution, such as mediation and arbitration.

Case Studies and Precedents: Practical Insights



Real-world case studies and precedents provide practical insights into the complexities of civil litigation.

To reinforce your understanding, the book incorporates numerous case studies and precedents. These real-world examples illustrate the practical application of legal principles and provide valuable guidance on how to navigate the challenges of civil litigation.

Additional Resources and Support

- **Online Resources:** Access a wealth of online resources, including legal databases and case law.
- **Mentorship and Training:** Seek guidance from experienced legal professionals and participate in training programs.

- **Continuing Education:** Stay updated with the latest developments in civil procedure through continuing education courses.
- **Legal Aid and Pro Bono Work:** Engage in legal aid and pro bono work to gain practical experience and contribute to the community.
- **Networking and Collaboration:** Connect with other legal professionals and build a network of support.

: Empowering Legal Professionals of Tomorrow

The Beginner Guide to Drafting Civil Suits in India is an indispensable resource for aspiring legal professionals. Its comprehensive coverage of civil procedure, coupled with practical insights and case studies, empowers you with the knowledge and skills to navigate the complexities of civil litigation. Whether you are a law student, a junior lawyer, or an experienced professional seeking to enhance your expertise, this guidebook will serve as your trusted companion on the path to success.

Embrace the opportunity to elevate your legal practice and make a meaningful contribution to the field of civil justice. Free Download your copy of the Beginner Guide to Drafting Civil Suits in India today and embark on an enriching journey of legal excellence.



A BEGINNER'S GUIDE TO DRAFTING CIVIL SUITS IN

INDIA by Ilene W. Devlin

★★★★☆ 4 out of 5

Language : English
 File size : 416 KB
 Text-to-Speech : Enabled
 Screen Reader : Supported
 Enhanced typesetting : Enabled
 Word Wise : Enabled
 Print length : 60 pages
 Lending : Enabled

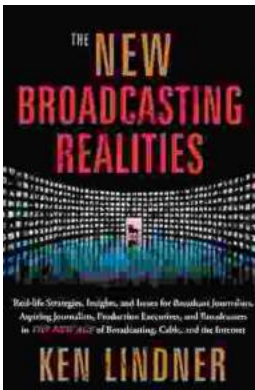
FREE

DOWNLOAD E-BOOK



Unlock Your Nonprofit Potential: A Comprehensive Guide to Launching and Sustaining a Mission-Driven Organization

: Embarking on the Path to Impactful Change In a world clamoring for meaningful solutions, the establishment of nonprofit organizations stands as a beacon of hope. Driven by...



Unlock the Secrets of Captivating Radio Programming: Master Tactics and Strategies for Success

In the fiercely competitive world of broadcasting, crafting compelling radio programming that resonates with audiences is paramount to success.

"Radio Programming Tactics and..."